

PRODUCT SPECIFICATION SHEET

SLIDING PASSAGE DOOR

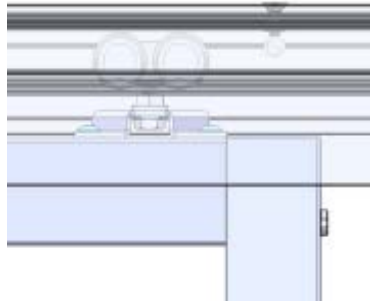
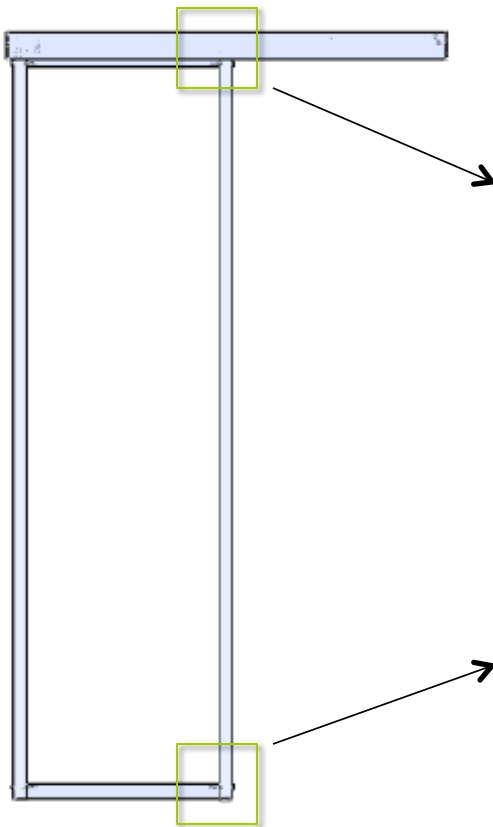


SLIDING PASSAGE DOOR

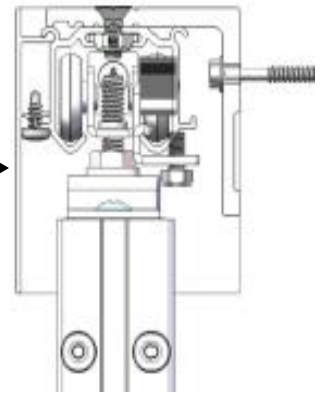
This top hung system can be surface mounted on a wall or beam. It also can be mounted under a header or to a ceiling. The Dividers Sliding Passage Door is ideal for dividing small spaces and creating new rooms such as a study, a retreat, a private nook and most often a master bedroom en suite.

- **MADE IN AMERICA**
- 2-3 week lead time to jobsites
- Four frame finishes: Satin Aluminum, Java, White, Black
- Glass options include mirror, laminate, and back painted
- 3mm minimum glass thickness
- 6mm maximum glass thickness
- Available in single and double panel system
- Unique trackless floor design
- Accepts base boards from 1/4" to 7/8" thick
- Simple to install
- Complies with ADA standards for push/pull force
- 150 lb. maximum panel weight
- Single Panel Configuration: maximum F/O size 50" x 100"
- Double Panel Configuration: maximum F/O size 100" x 100"

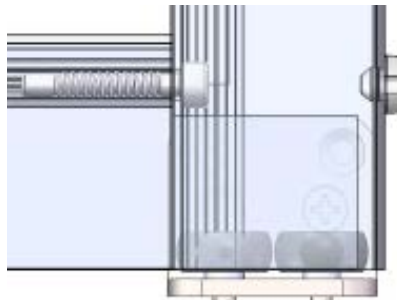
PRODUCT SPECIFICATION SHEET
SLIDING PASSAGE DOOR



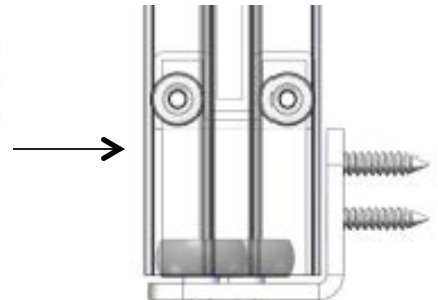
FRONT VIEW TOP ROLLER



SIDE VIEW TOP ROLLER



FRONT VIEW BOTTOM ROLLER



SIDE VIEW BOTTOM ROLLER

